

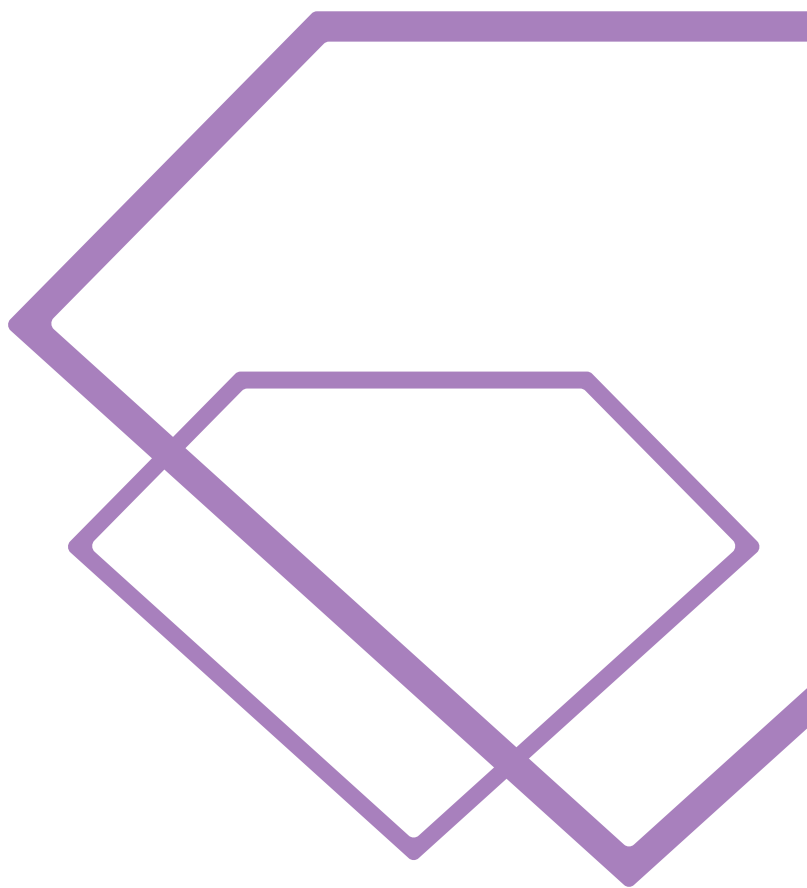
新一代智能缝纫机

NEW GENERATION OF INTELLIGENT SEWING MACHINE

HIKARI® 富山

零件手册

PARTS BOOK



H9V-II 系列  
Series

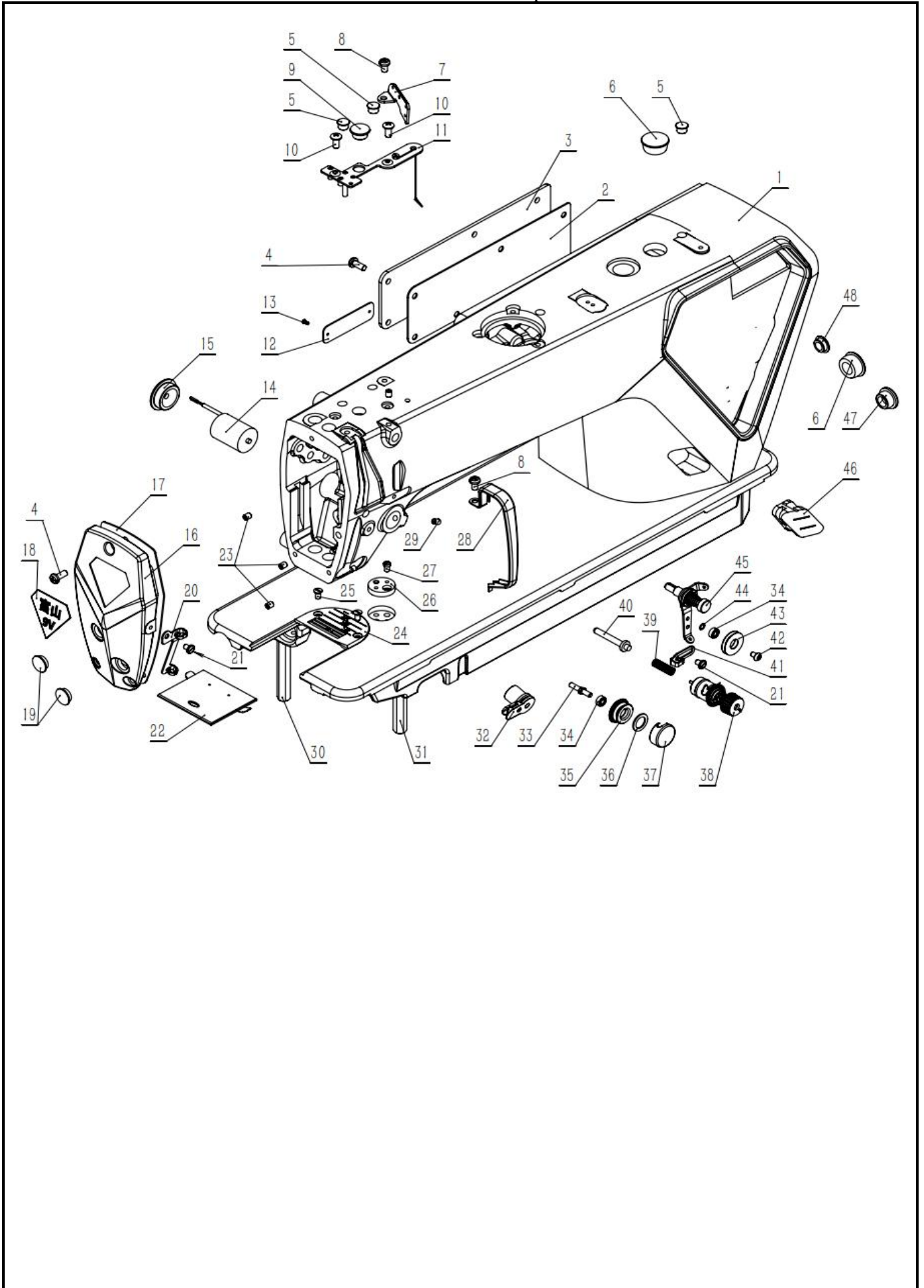
新一代智能平缝机

NEW GENERATION OF INTELLIGENT  
OVERLOCK SEWING MACHINE

## 目录/Contents

1、机壳部件 /Machine frame&miscellaneous cover components .....	P1
2、上轴·挑线部件 /Main shaft&Thread take-up lever components .....	P3
3、针杆·竖轴·下轴部件 /Needle bar, upright shaft&hook driving shaft components.....	P5
4、压杆部件 /Hand lifter components.....	P7
5、送料部件 /Feed mechanism components.....	P9
6、自动切线 /Thread trimmer components.....	P11
7、自动倒缝部件 /Automatic reverse feed components.....	P13
8、驱动部件 /Driver components.....	P14
9、润滑·绕线部件 /Oil lubrication components&bobbin components.....	P15
10、油盘部件 /Oil reservoir components.....	P17
11、电子抬压脚控制器(选配) /Electronic presser foot lifting controller(Options).....	P19
12、附件 /Accessories.....	P19

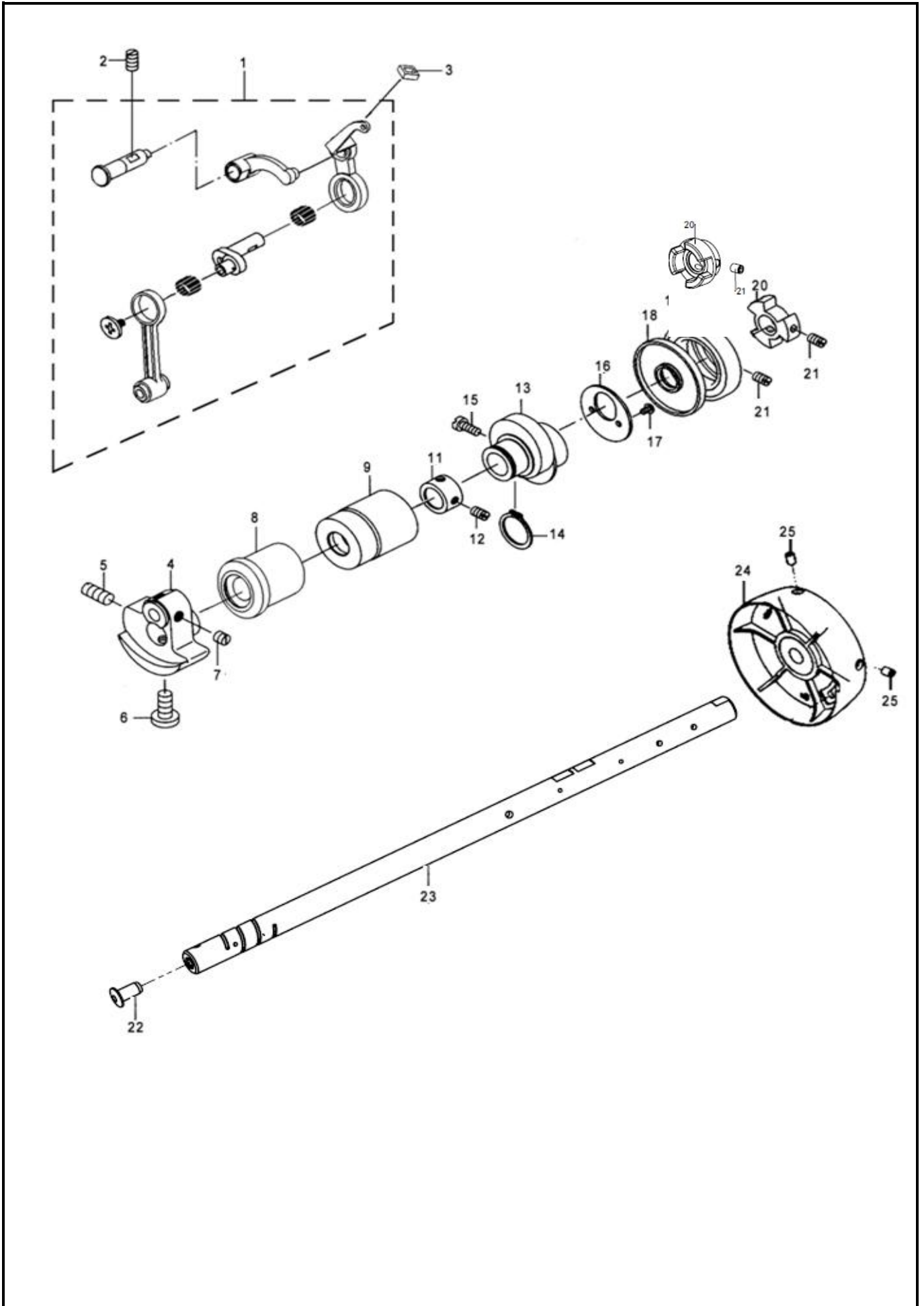
1、机壳部件/Machine frame&miscellaneous cover components



## 1、机壳部件/Machine frame&miscellaneous cover components

序号 Ref.No	图号 Part. No	零件名称	Name of parts	数量Qty
				H9V-II
1	137.01-10	机壳组件	Machine cover	1
2	135.13-43	后窗板垫	Gasket	1
3	135.13-44B	后窗板	Side plate	1
4	01-405001223-1	十字一字盘头螺钉	Screw	15
5	22-08506011	橡胶塞	Rubber plug	3
6	22-20809024	橡胶塞	Rubber plug	2
7	110.01-07	面线过线板	Spooi pin	1
8	01-405000823-1	十字一字盘头螺钉	Screw	2
9	22-15505017	橡胶塞	Rubber plug	1
10	02-309401122-1	十字槽平圆头螺钉	Screw	2
11	128.02-05	油线支架组件	Oil line support	1
12	H0-008	综合型号牌	Model plate	1
13	17-3200500-5	半圆头铆钉	Pole	1
14	SD-02A	松线电磁铁	Loose wire electromagnet	1
15	22-25007030	橡胶塞	Rubber plug	1
16	135.13-42B	面板	Plate	1
17	135.13-41	面板垫	Plate stick	1
18	135.13-50	面板贴钻石型	Plate stick	1
19	22-12404016	橡胶塞	Rubber plug	2
20	101.01-32A	左过线勾	Arm thread guide Left	1
21	02-611400621-1	一字槽圆柱头大薄帽螺钉	Screw	2
22	101.01-46	推板组件	Slide plate asm.	1
23	01-805000614-1	内六角凹端紧定螺钉	Screw	4
24	110.01-44	针板	Throat plate	1
25	02-211400821-1	一字槽半沉头螺钉	Screw	2
26	103.01-11	定位座	Ruler stopper	1
27	02-911400621-1	圆柱头一字槽平端螺钉	Screw	1
28	135.04-01	挑线杆防护罩	Thread take-up lever cover	1
29	02-815280711-1	一字槽凹端紧定螺钉	Screw	1
30	126.01-09	底板支柱	Bed screw stud	1
31	130.01-30	底板支柱	Bed screw stud	1
32	JD-02	起针夹线器	Thread tension solenoid asm.	1
33	137.01-09-02	连接螺杆	Screw	1
34	14-684ZZ	轴承	Bearing	2
35	137.01-09	滑轮	Pulley	1
36	135.13-53	磁钢	Magnet	1
37	137.01-09-01	滑轮罩	Sheave cover	1
38	101.01-27	夹线器组件	Thread tension asm.	1
39	101.04-24	松线辅钉弹簧	Spring	1
40	102.04-26	松线辅钉	Loose lire pin	1
41	101.01-25	右线钩	Arm thread guide right	1
42	01-304000624-3	内六角平圆头螺钉	Screw	1
43	135.13-47	调线夹线器滑轮	Pulley	1
44	05-040030600-6	平垫片	Washer	1
45	135.01-21	小夹线器组件	Thread tension asm.	1
46	137.09-04	油量视窗	Fuel volume window	1
47	22-15807020	橡胶塞	Rubber plug	2
48	22-12404016	橡胶塞	Rubber plug	1

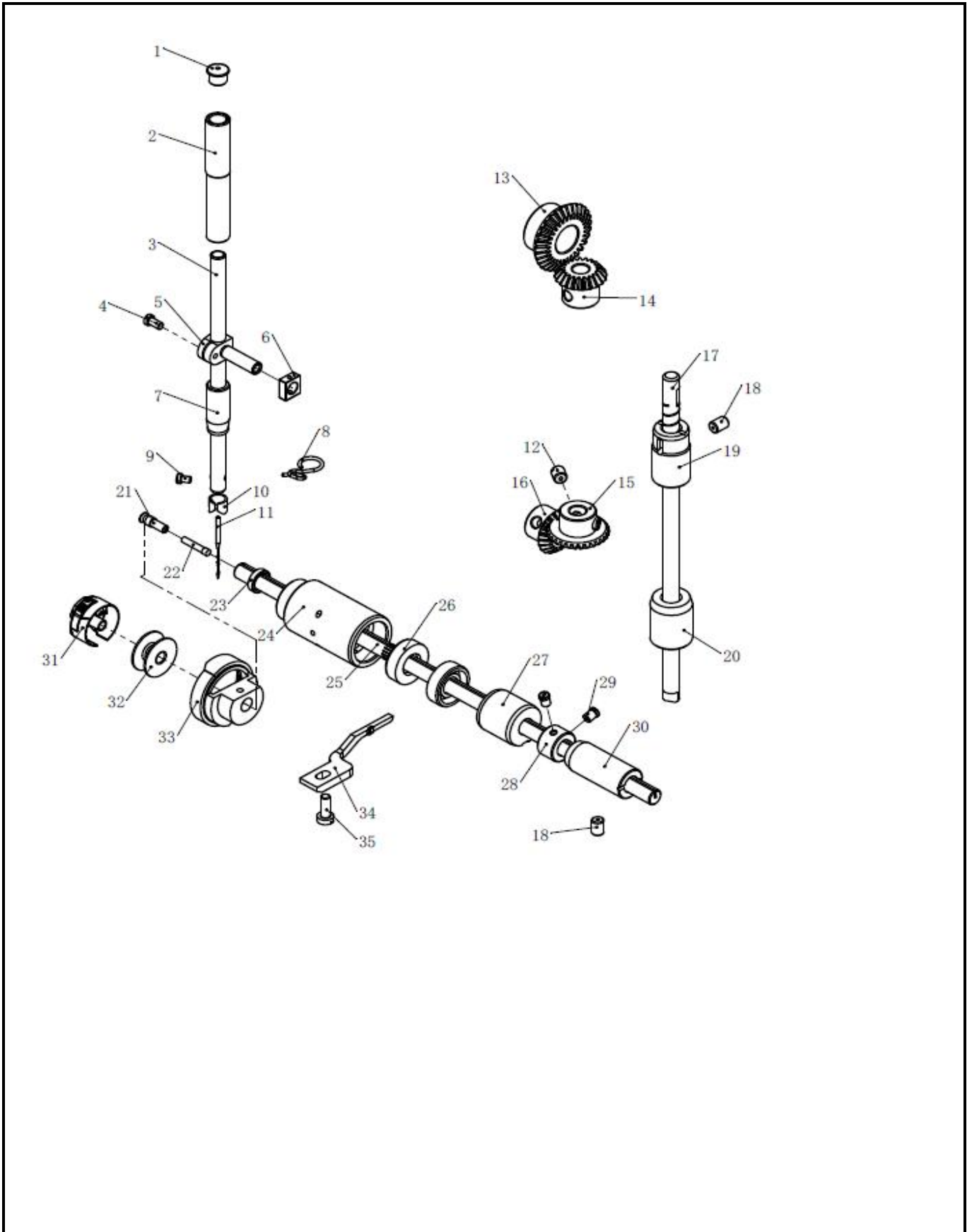
2、上轴·挑线部件/Main shaft&Thread take-up lever components



## 2、上轴·挑线部件/Main shaft&Thread take-up lever components

序号 Ref.No	图号 Part. No	零件名称	Name of parts	数量Qty
				H9V-II
1	128.02-04	挑线杆大组件	Thread take-up lever big asm.	1
2	02-815281151-1	螺钉 SM15/64x28x11	Screw	1
3	101.02-05	橡皮套	Rubber	1
4	102.02-15A	针杆曲柄	Needle bar crank	1
5	02-818281651-1	螺钉 SM9/32x28x16	Screw	1
6	02-418281531-1	螺钉 SM9/32x28x15	Screw	1
7	02-816400611-1	螺钉 SM1/4x40x6	Screw	2
8	101.02-19	上轴前轴套	Main shaft front bushing	1
9	102.02-27	上轴中轴套	Bushing,intermediate	1
11	102.02-23	上轴挡圈	Collar	1
12	02-816400811-1	螺钉 SM1/4x40x8	Screw	2
13	135.02-12-01	送料偏心轮	Feed drive eccentric cam	1
14	10-1851320-1	挡圈 φ18.5x1.3	Snap ring	1
15	02-516401111-1	螺钉 SM1/4x40x11	Screw	2
16	101.02-32	送料偏心轴盖板	Thrust collar	1
17	02-209400821-1	螺钉 SM9/64x40x8	Screw	2
18	13-14550550	骨架油封 φ14.5x5xφ55	Oil seal	1
19	102.02-44-00	连轴器(1)组件配轴承	Bearing	1
20	124.02-48	电机连轴器	Linker(1)	1
21	01-806750814-1	螺钉 M6x0.75x8	Screw	6
22	22-07014012	橡胶塞	Rubber plug	1
23	134.02-01	上轴	Main shaft	1
24	128.02-11	手轮组件	Hand wheel	1
25	02-815281014-1	螺钉 SM15/64x28x10	Screw	2
26	102.09-37	绕线驱动轮	Bobbin winder driving wheel	1

3.针杆·竖轴·下轴部件/Needle bar,upright shaft&hook driving shaft components

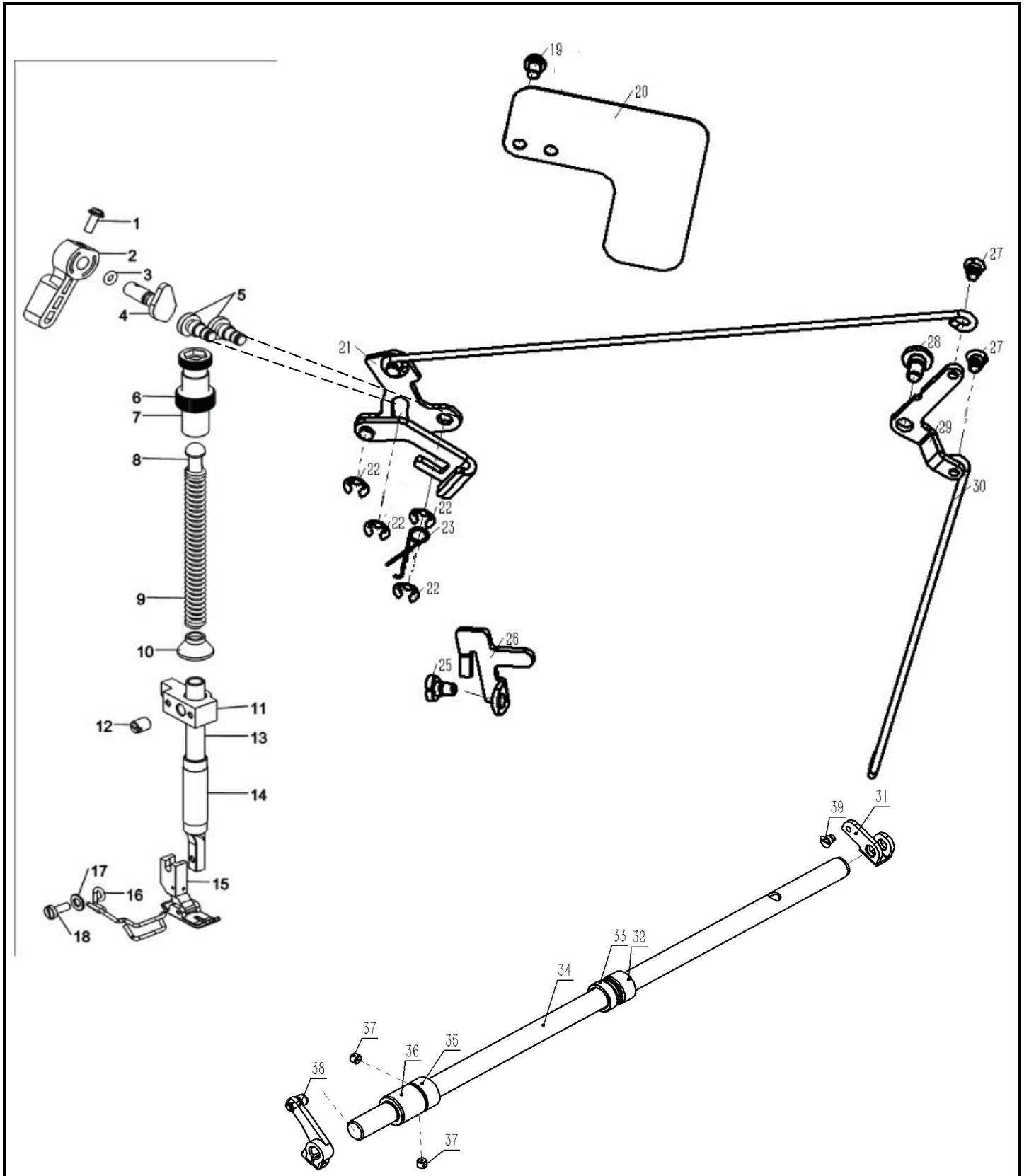


### 3.针杆·竖轴·下轴部件/Needle bar,upright shaft&hook driving shaft components

序号 Ref.No	图号 Part. No	零件名称	Name of parts	数量Qty
				H9V-II
1	22-08506511	橡胶塞 φ8.5x6.5xφ10.5	Cap	1
2	101.03-02	针杆上套	Needle bar bushing (upper)	1
3	101.13-10A	针杆	Needle bar	1
4	02-509400721-1	螺钉 SM9/64x40x5	Screw	1
5	102.03-04A	针杆连接柱	Needle rod holder	1
6	102.03-06A	针杆连接柱滑块	Slide block	1
7	121.03-08	针杆下套	Needle bar bushing (lower)	1
8	101.13-08	针杆下套线钩	Needle bar thread guide	1
9	02-508440521-1	螺钉 SM1/8x44x5	Screw	1
10	101.03-10	针杆线钩	Needle bar thread guide	1
11	101.03-11	机针	Needle	1
12	02-816400711-1	螺钉 SM1/4x40x7	Screw	8
13	101.03-12	上轴伞齿轮	Conical gear	1
14	101.03-14	竖轴上伞齿轮	Conical gear	1
15	122.03-16	竖轴下伞齿轮	Gear	1
16	101.03-18	下轴伞齿轮	Conical gear	1
17	101.03-20	竖轴	Upright shaft	1
18	02-815280814-1	螺钉 SM15/64x28x8	Screw	2
19	101.03-21	竖轴上轴套	Upright shaft bushing (upper)	1
20	101.03-23	竖轴下轴套	Upright shaft bushing (lower)	1
21	136.09-03	下轴限油螺钉	Oil seal screw	1
22	101.03-35A	下轴限油芯	Oil wick	1
23	13-07230120	油封7.2x3x12	Grease seal	1
24	136.03-02	下轴前轴套	Lower shaft bushing	1
25	137.03-05	下轴	Lower shaft	1
26	13-07270220	油封7.2x7x22	Grease seal	2
27	130.03-03	下轴中轴套	Bushing (intermediate)	1
28	101.03-26	下轴挡圈	Thrust collar	1
29	02-511400511-1	螺钉 SM11/64x40x5	Screw	2
30	101.03-24	下轴后轴套	Bushing rear	1
31	122.03-37-02	梭壳	Bobbin case	1
32	101.03-37-02	梭心	Bobbin	1
33	137.03-06	旋梭	Hook	1
34	108.07-14	旋梭定位钩	Bobbin case holder	1
35	02-511401221-1	螺钉 SM11/64x40x12	Screw	1



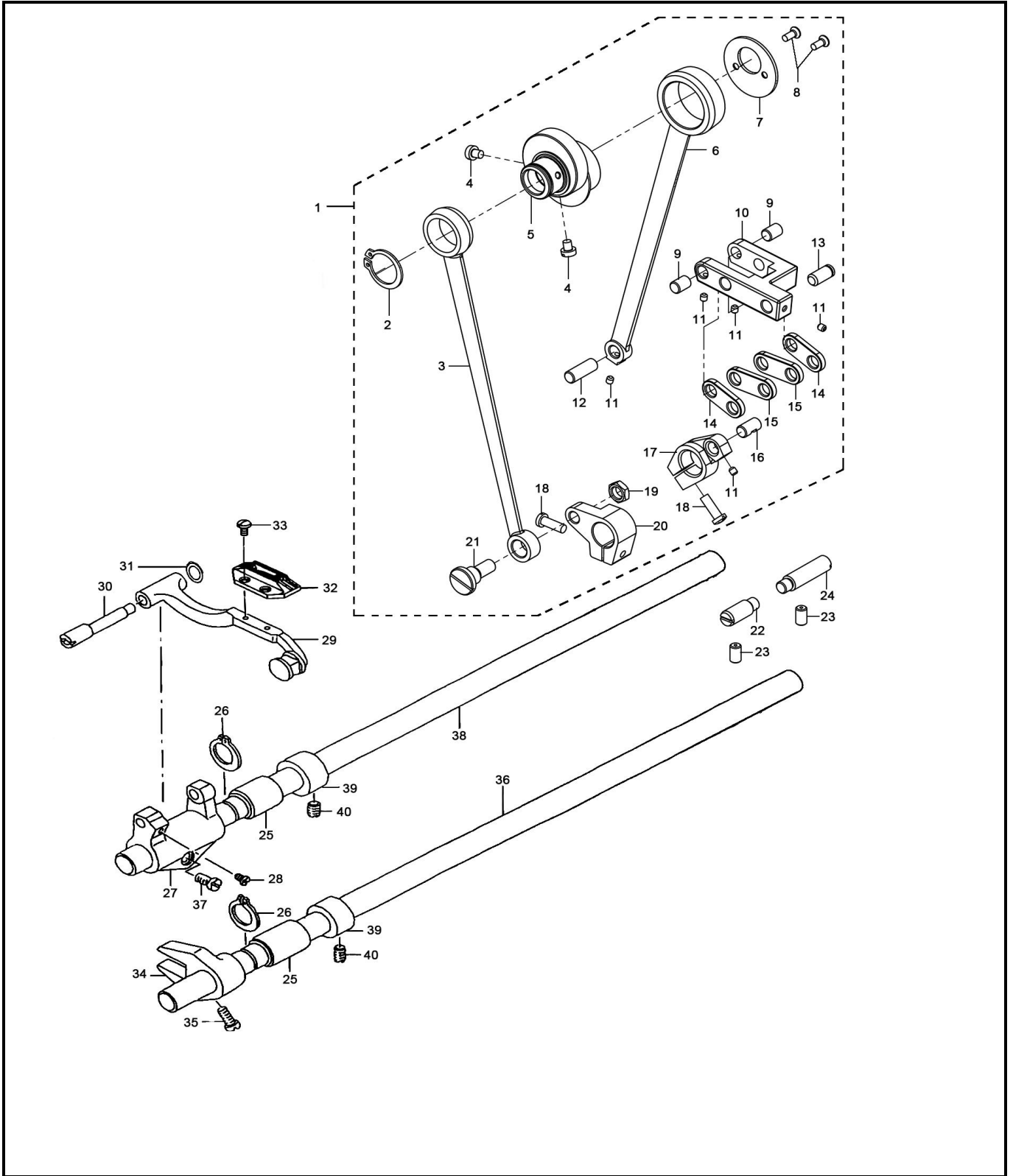
#### 4、压杆部件/Hand lifter components



#### 4、压杆部件/Hand lifter components

序号 Ref.No	图号 Part. No	零件名称	Name of parts	数量Qty
				H9V-II
1	19-409401023-1	螺钉 SM9/64x40x10	Screw	1
2	101.04-01	压脚扳手	Hand lifter	1
3	12-038180	O型圈 $\phi 3.8 \times \phi 1.8$	Rubber ring	1
4	101.04-04	压脚扳手凸轮组件	Hand lifter cam asm.	1
5	102.04-07	前杠杆螺纹销	Link shaft	2
6	101.04-32	调压螺钉	Presser spring regulator	1
7	101.04-31	调压螺母	Presser adjusting screw nut	1
8	101.04-40	调压导杆	Presser guide bar	1
9	101.04-33	调压簧	Presser adjusting spring	1
10	101.04-41	防油伞	Rubber	1
11	101.04-34	压杆导架	Presser bar guide bracket	1
12	02-816400811-1	螺钉 SM1/4x40x8	Screw	1
13	101.04-35	压杆	Presser bar	1
14	101.04-05	压杆轴套	Presser bar bushing	1
	101.04-09A	活压脚组件	Presser foot asm.	1
16	104.03-29	护指器	Finger Protector	1
17	05-043080900-1	平垫片4.3×0.8×9	Washer	1
18	02-509401021-1	螺钉 SM9/64x40x11	Screw	1
19	01-405000623-1	螺钉M5×6	ScrewM5×6	1
20	137.03-03	挡油板	Break oil	1
21	137.04-03	前杠杆组件	Knee lifting cross rod asm.	1
22	06-0500611-1	开口挡圈 $\phi 5 \times \phi 11 \times 0.6$	E-ring	4
23	130.04-34	前杠杆复位簧	Front lever reset spring	1
25	130.04-35	轴位螺钉	Screw	1
26	137.04-04	松线板	Loose wire plate	1
27	101.04-11	抬压脚拉杆螺钉	Hinge screw	2
27	101.04-12	后杠杆轴位螺钉	Hinge screw	1
28	101.04-11	抬压脚拉杆螺钉	Hinge screw	1
29	137.03-01	抬压脚后杠杆	Lifting lever link	1
30	137.03-02	抬压脚拉杆	Knee lifter connecting rod	1
31	137.06-06	拉杆曲柄	Tie rod crank	1
32	130.05-25	送料轴中轴套	Feeding bushings	1
33	13-14312210	油封	Oil seals	1
34	137.05-01	抬压轴	Raise the final flag	1
35	101.02-17	上轴挡圈	Upper axle retaining ring	1
36	130.05-20	送料轴左套	Feeding bushings	1
37	02-816400514-1	内六角凹端紧定螺钉	Screw	2
38	137.06-04	抬压脚曲柄组件	Lift the foot crank	1
39	101.04-11	活压脚压杆螺钉	Screw	1

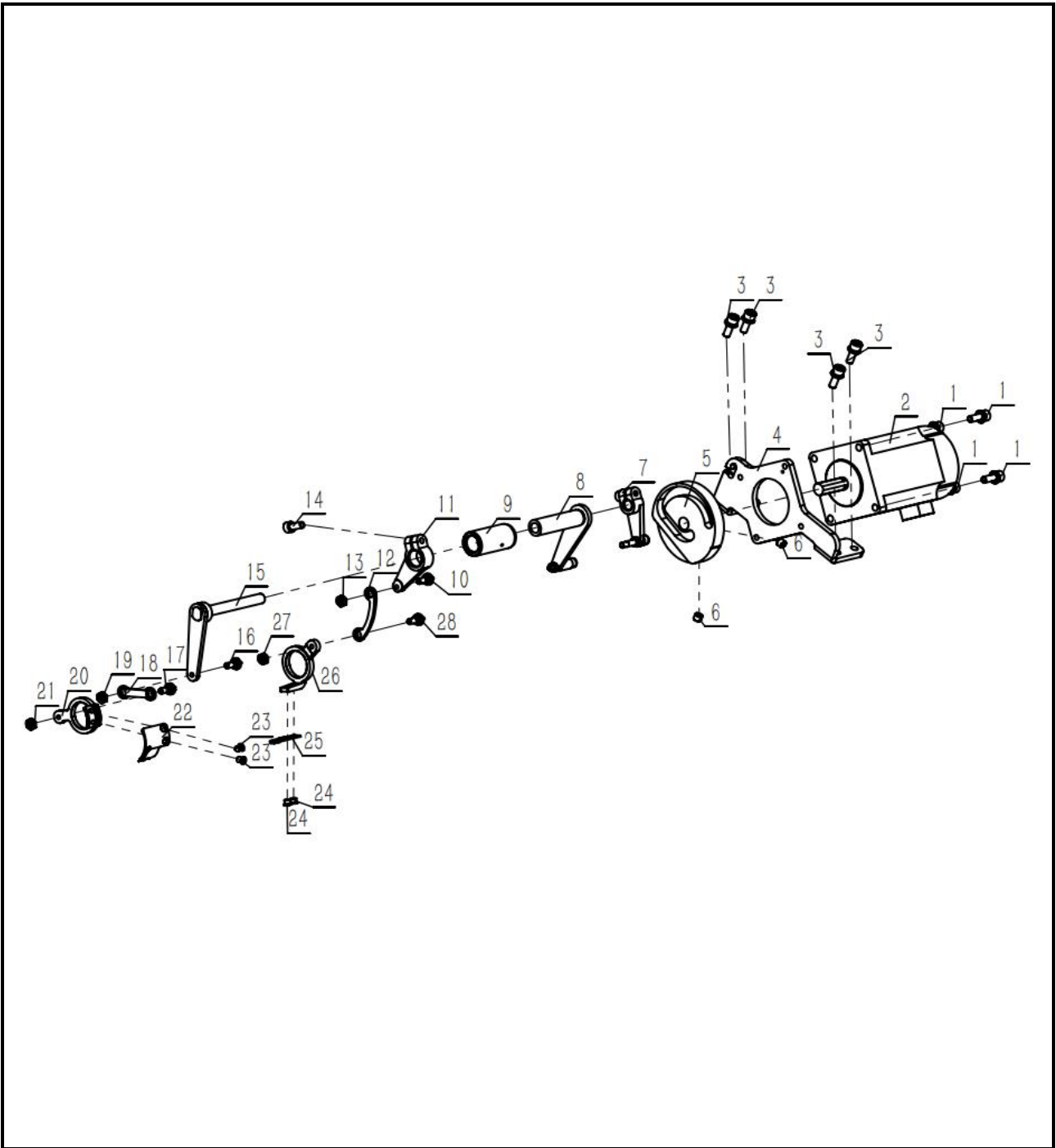
## 5、送料部件/Feed mechanism components



## 5、送料部件/Feed mechanism components

序号 Ref.No	图号 Part. No	零件名称	Name of parts	数量Qty
				H9V-II
1	135.02-12	送料偏心轮大组件	Feed drive eccentric cam asm.	1
2	10-1851320-1	挡圈 φ18.5x1.3	Snap ring	1
3	101.05-15	抬牙连杆	Connecting rod	1
4	02-516401111-1	螺钉 SM1/4x40x11	Screw	2
5	135.02-12-01	送料偏心轮	Feed drive eccentric cam	1
6	101.05-12	送料连杆	Rocker shaft connecting rod	1
7	101.02-32	送料偏心轴盖板	Thrust collar	1
8	02-209400821-1	螺钉 SM9/64x40x8	Screw	2
9	101.05-24	短摆动板连接销	Walking foot short pin	2
10	126.05-27-01	摆动板座组件	Feed adjust link asm.	1
11	02-809400424-1	螺钉 SM9/64x40x4	Screw	4
12	101.05-13	送料连杆销	Walking foot long pin	1
13	101.05-27A-03	摆动板座销	Feed adjust link pin	1
14	101.05-26	送料短摆动板	Connecting link short pin	2
15	101.05-25	送料长摆动板	Connecting link long pin	2
16	101.05-40	送料曲柄销	Walking foot middle pin	1
17	101.05-43	送料曲柄	Feed rocker shaft crank	1
18	02-412281423-1	螺钉 SM3/16x28x14	Screw	3
19	04-618280400-1	螺母 SM9/32x28x4	Nut	1
20	101.05-45	抬牙后曲柄	Lifting crank (back)	1
21	101.05-47	螺钉	Hinge screw	1
22	101.05-28	摆动板座销钉(短)	Adjusting link fulcrum shaft pin	1
23	02-815281014-1	螺钉 SM15/64x28x11	Screw	2
24	102.05-28-01	摆动板座销钉(长)	Adjusting link fulcrum shaft pin	1
25	101.05-51A	送料轴前轴套	Feed rocker shaft bushing	2
26	10-1381017-1	轴用弹性挡圈 φ13.8x1	Retaining ring	2
27	101.05-55	牙架座	Feed bar crank	1
28	02-511400721-1	螺钉 SM11/64x40x7	Screw	1
29	101.05-35	牙架组件	Feed bar asm.	1
30	101.05-31	牙架销	Feed bar shaft pin	1
31	05-051081203-5	垫圈 φ5.1x0.8xφ12	Washer	1
32	133.05-33	送料牙	Feed dog	1
33	02-608440621-1	螺钉 SM1/8x44x6	Screw	2
34	101.05-57	抬牙叉曲柄	Driving shaft crank	1
35	02-511401121-1A	螺钉 SM11/64x40x11	Screw	1
36	101.05-48	抬牙轴	Feed driving shaft	1
37	02-412281423-1	螺钉 SM3/16x28x14	Screw	3
38	101.05-48	抬牙轴	Feed driving shaft	1
39	101.02-17	上轴挡圈	Thrust collar	2
40	02-816400514-1	螺钉 SM1/4x40x5	Screw	4

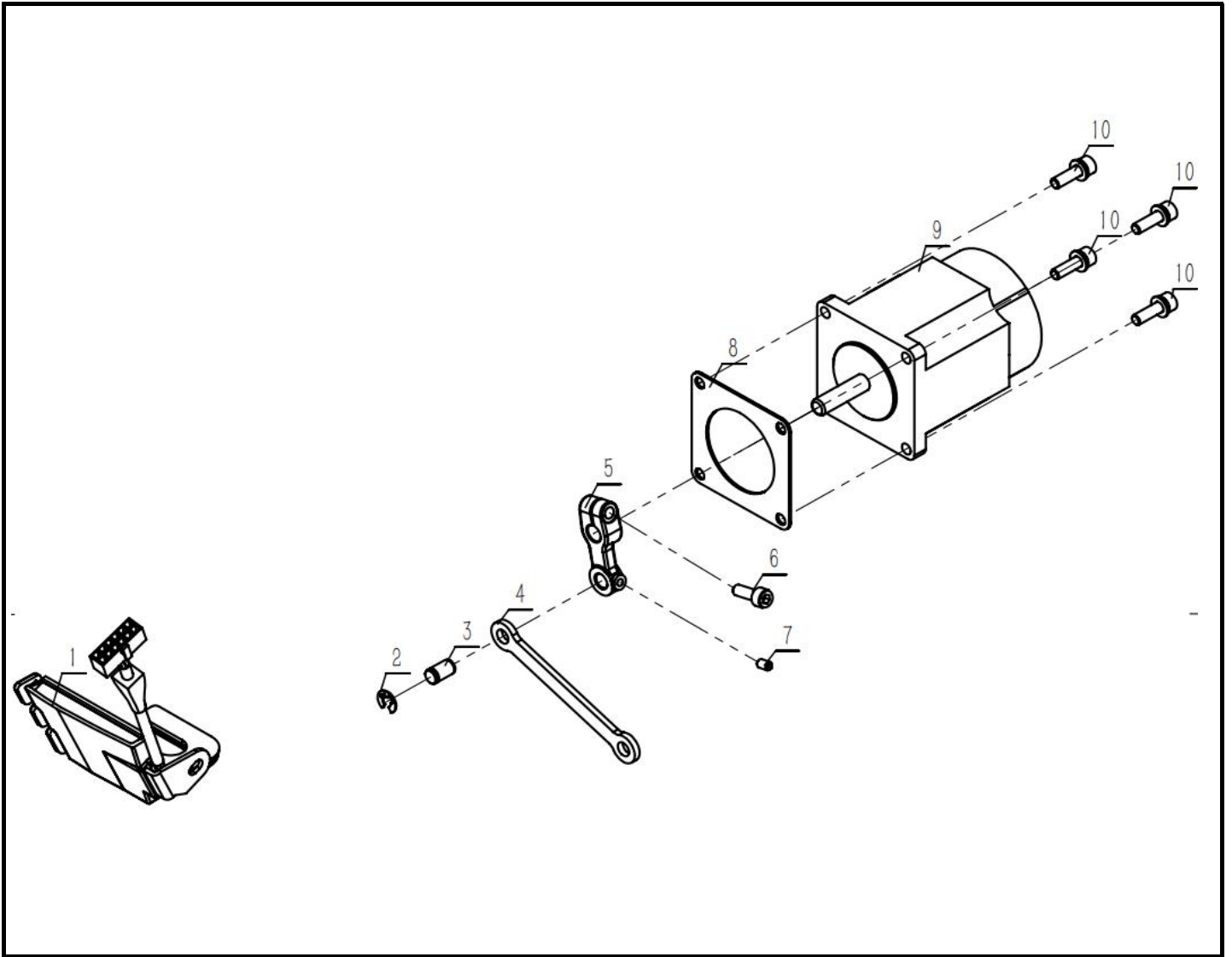
6、自动切线部件/Thread trimmer components



## 6、自动切线部件/Thread trimmer components

序号 Ref.No	图号 Part. No	零件名称	Name of parts	数量Qty
				H9V-II
1	18-505001424-1	内六角槽圆柱头三件套组合螺钉	Screw	4
2	M0-02H-60	剪线控制步进电机	Stepper motor	1
3	18-505001424-1	内六角槽圆柱头三件套组合螺钉	Screw	4
4	137.06-01	电机支架	Motor mount	1
5	137.06-02	轨道凸轮	Orbital cams	1
6	01-806750514-1	内六角凹端紧定螺钉	Screw	2
7	137.06-03	剪线曲柄组件	Wire cut crank assembly	1
8	137.08.07	上切刀曲柄组件	Top cutter crank assembly	1
9	137.06-15	切线轴套	Tangent bushings	1
10	130.06-36	连杆螺钉	Screw	1
11	137.08-04	上刀曲柄	Upper knife crank	1
12	137.08-01	上切刀连杆	Cutter linkage	1
13	03-604000403-1	六角螺母	Nut	1
14	01-505001224-1	内六角圆柱头螺钉	Screw	1
15	137.08-03	下切刀转轴	Cutter hinge	1
16	130.06-36	连杆螺钉	Screw	1
17	03-604000403-1	六角螺母	Nut	1
18	137.08-02	下切刀连杆	Cutter linkage	1
19	03-604000403-1	六角螺母	Nut	1
20	137.06-14	下切刀架	Cutter holder	1
21	03-604000403-1	六角螺母	Nut	1
22	130.06-33A	下切刀	Cutter	1
23	02-111400524-1	内六角沉头螺钉	Screw	2
24	02-111400424-1	内六角沉头螺钉	Screw	2
25	130.06-30A	上切刀	Cutter	1
26	137.06-13	上切刀架	Cutter holder	1
27	03-604000403-1	六角螺母	Nut	1
28	130.06-36	连杆螺钉	Screw	1

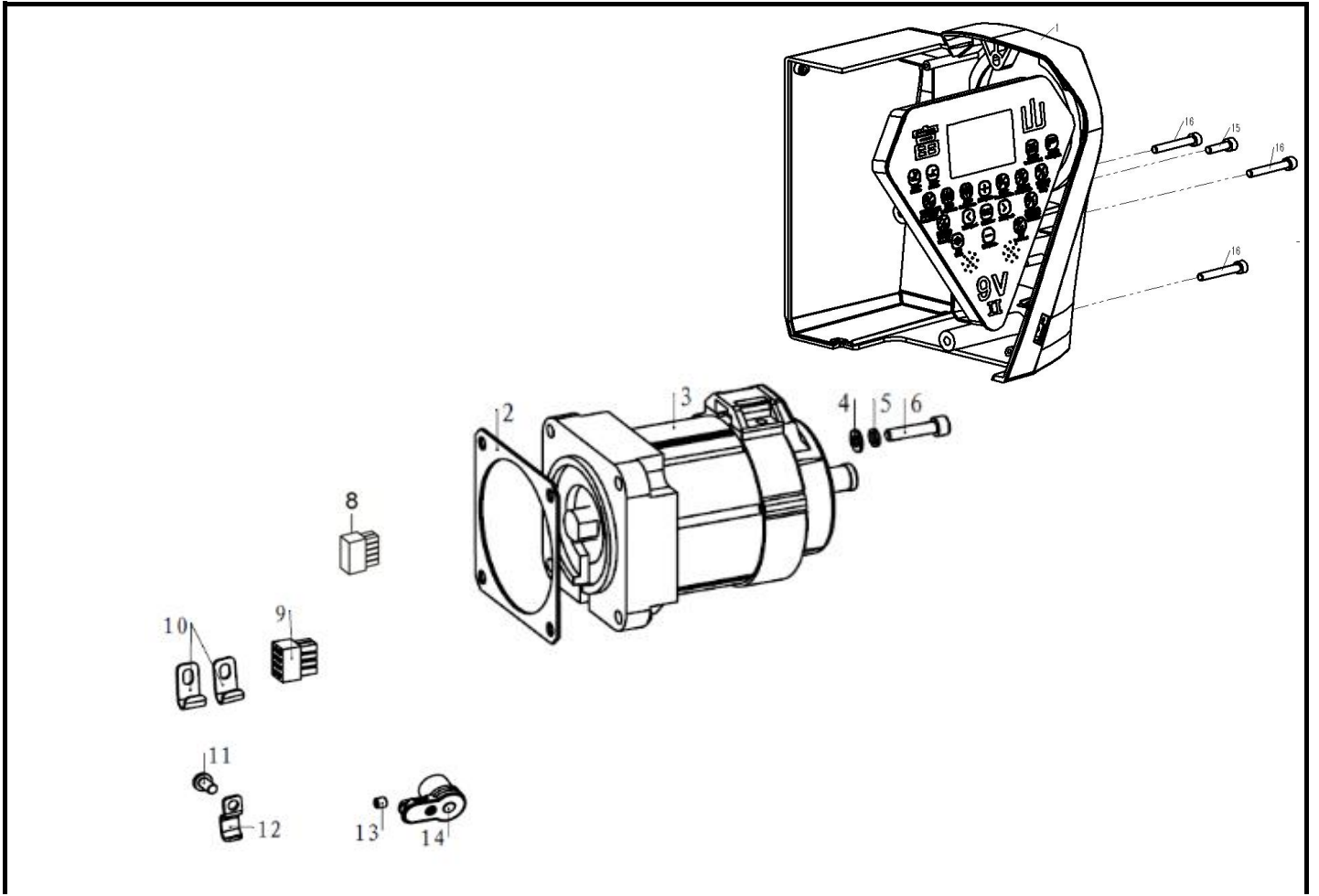
## 7、自动倒缝部件/Automatic reverse feed components



## 7、自动倒缝部件/Automatic reverse feed components

序号 Ref.No	图号 Part. No	零件名称	Name of parts	数量Qty
				H9V-II
1	DL-41	倒缝灯组件	Reverse switch asm.	1
2	06-0500611-1	开口挡圈	E-ring	1
3	130.05-07-02	销	Shaft pin	1
4	130.05-06	切换连杆	Turning connecting shaft	1
5	130.05-07-01	针距切换曲柄	Connecting arm	1
6	01-505001424-1	内六角圆柱头螺钉	Screw	1
7	01-804000614-1	内六角凹端紧定螺钉	Screw	1
8	130.05-13A	步进电机密封垫片	Washer	1
9	M0-02H-60	针距控制步进电机	Stepper motor	1
10	18-505001724-1	内六角圆柱头三件套组合螺	Screw	4

## 8.驱动部件/Driver components

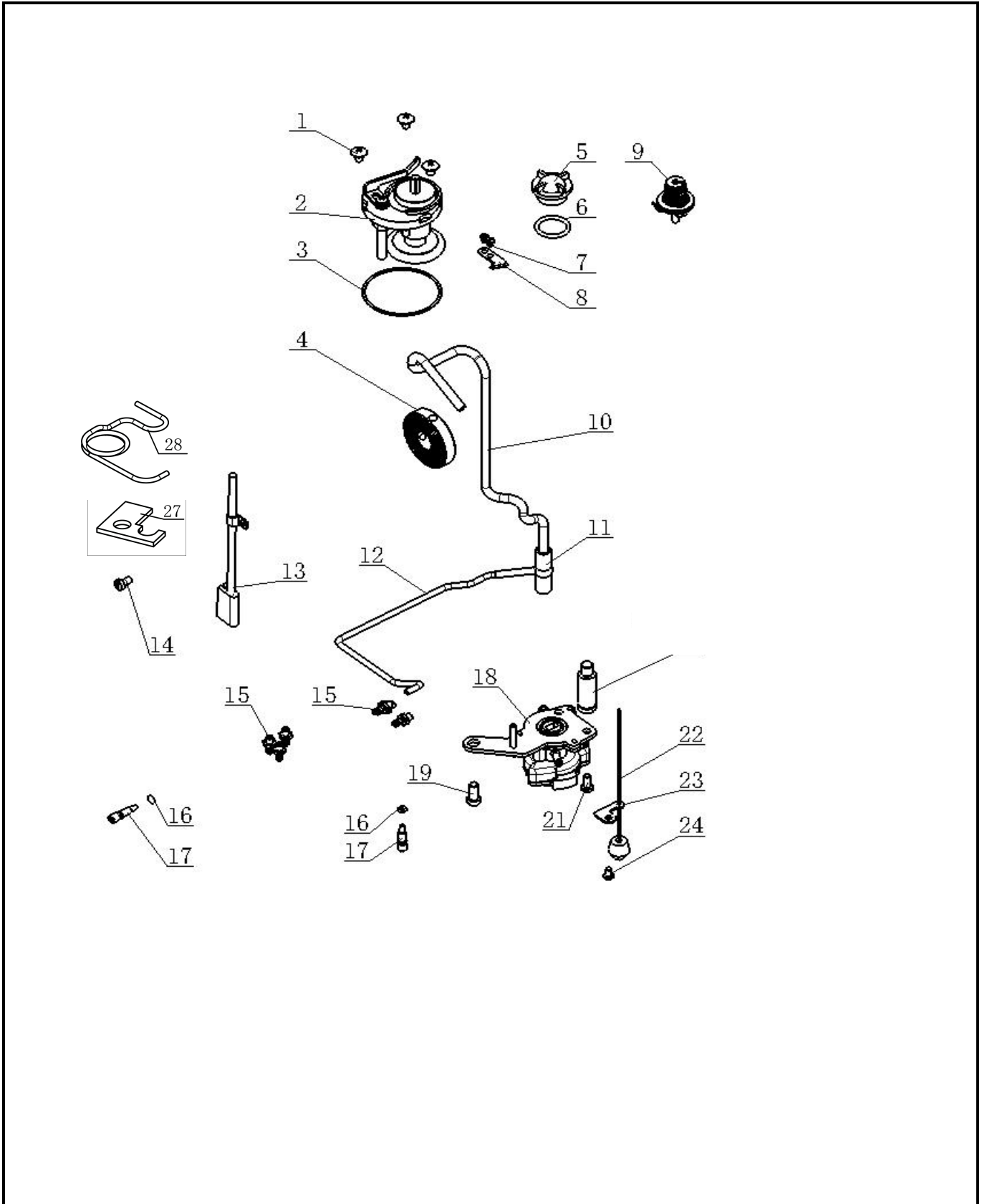




**8.驱动部件/Driver components**

序号 Ref.No	图号 Part. No	零件名称	Name of parts	数量Qty
				H9V-II
1	CB-42-00	电控组件		1
2	126.08-05	电机密封垫	Washer	1
3	MO-02H-550/03	电机组件	Motor asm.	1
4	05-053101000-1	平垫片	Washer	4
5	07-0521313-1	弹簧垫圈	Spring washer	4
6	01-505002224-1	螺钉	Screw	4
8	HX42000-14R	14孔插头	Plug	1
9	HX42000-8R	8孔插头	Plug	1
10	126.01-06	线夹	Clamp	2
11	01-405000823-1	螺钉M5x8	Screw	1
12	103.18-04	线夹	Clamp	1
13	01-805000514-1	螺钉M5x5	Connector	1
14	JD-02G	起针夹线器	Thread tension solenoid asm.	1
15	01-505001824-1	螺钉	Screw	1
16	01-505003524-1	内六角圆柱头螺钉	Screw	3

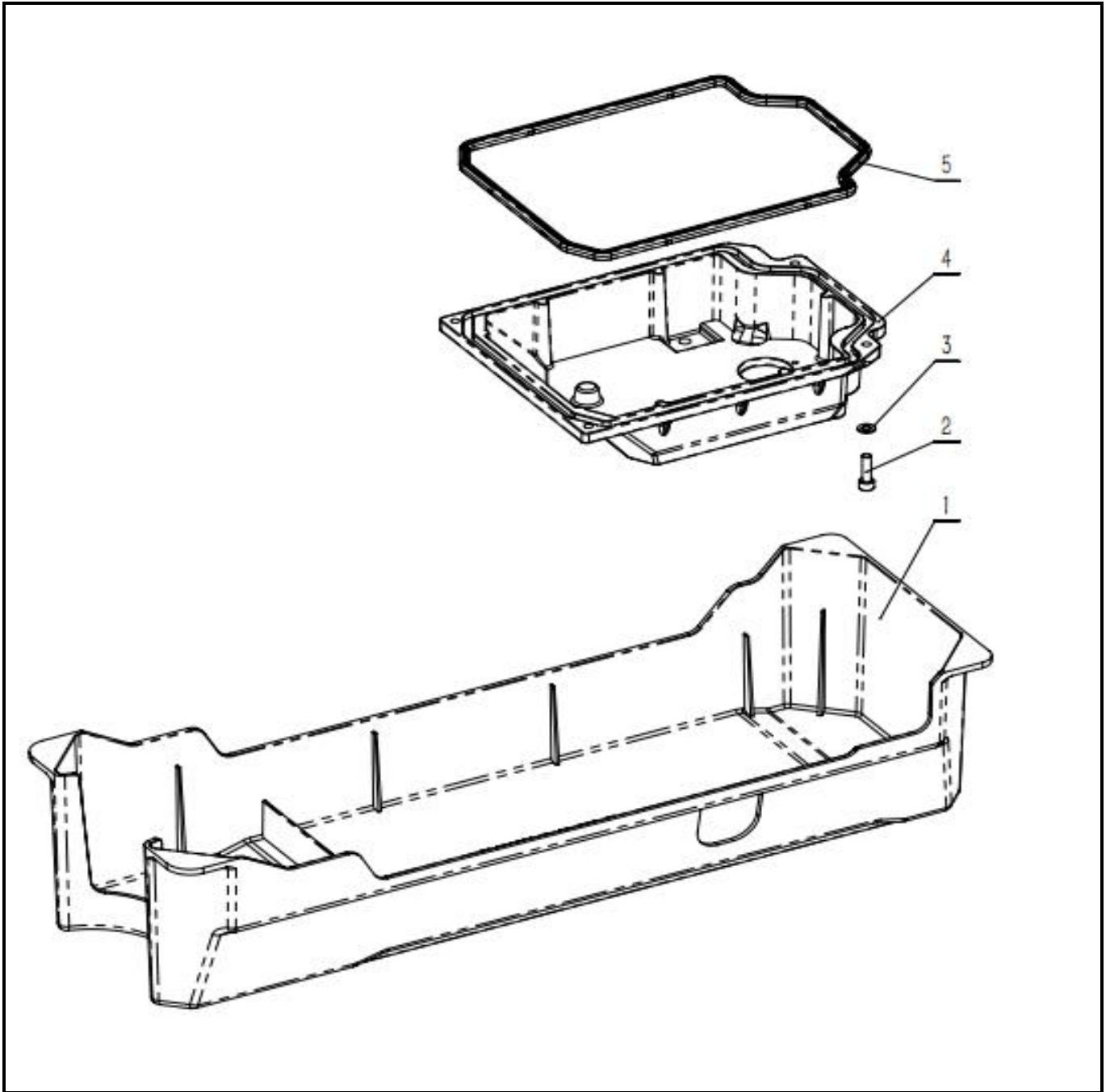
9. 润滑·绕线部件/Oil lubrication components&bobbin components



## 9、润滑·绕线部件/Oil lubrication components&bobbin components

序号 Ref.No	图号 Part. No	零件名称	Name of parts	数量Qty
				H9V-II
1	02-312320722-3	螺钉 SM3/16×28×7	Screw	3
2	102.09-32A	绕线器组件	Bobbin winder unit	1
3	102.09-42	绕线轮垫圈	Washer	1
4	102.09-37	绕线驱动轮	Bobbin winder driving wheel	1
5	101.09-01	油窗	Oil sight window	1
6	12-190265	油窗O型圈	Rubber ring	1
7	02-509400421-1	螺钉 SM9/64×40×4	Screw	2
8	102.09-34	切刀	Knife	1
9	102.09-36	夹线器组件	Thread tension asm.	1
10	137.04-01	上轴供油管	Main shaft oil tube	1
11	101.09-16	供油管接头	Rubber joint	1
12	137.04-02	旋梭供油管	Oil tube	1
13	137-PZ1-5	回油管组件	Oil Return Pipe Components	1
14	02-412320821-1	螺钉	Screw	1
15	103.08-33	供油口	Oil Feeding pipe	6
16	12-037140	o型圈	Rubber ring	2
17	137.09-05	油量调节螺钉	Oil adjusting screw	2
18	101.09-11	油泵组件	Lubricating oil pump asm.	1
19	02-715281521-1	一字槽六角头螺钉	Screw	1
	07-0631616-1	弹簧垫圈	Spring washer	1
	05-064161200-1	平垫片	Washer	1
20	101.09-13A	油泵连接螺柱	Oil pump support,large	1
21	02-511401221-1	一字槽圆柱头螺钉	Screw	1
	07-0521313-1	弹簧垫圈	Spring washer	1
	05-045080900-1	平垫片	Washer	1
22	137.15-01	浮标组件	Oil measurement buoy	1
23	130.09-31	浮标导板	Buoy guide plate	1
24	01-404000623-1	螺钉	Screw	1
27	126.09-03	油毡	Oil felt	1
28	126.09-04	油毡夹	Oil felt presser	1

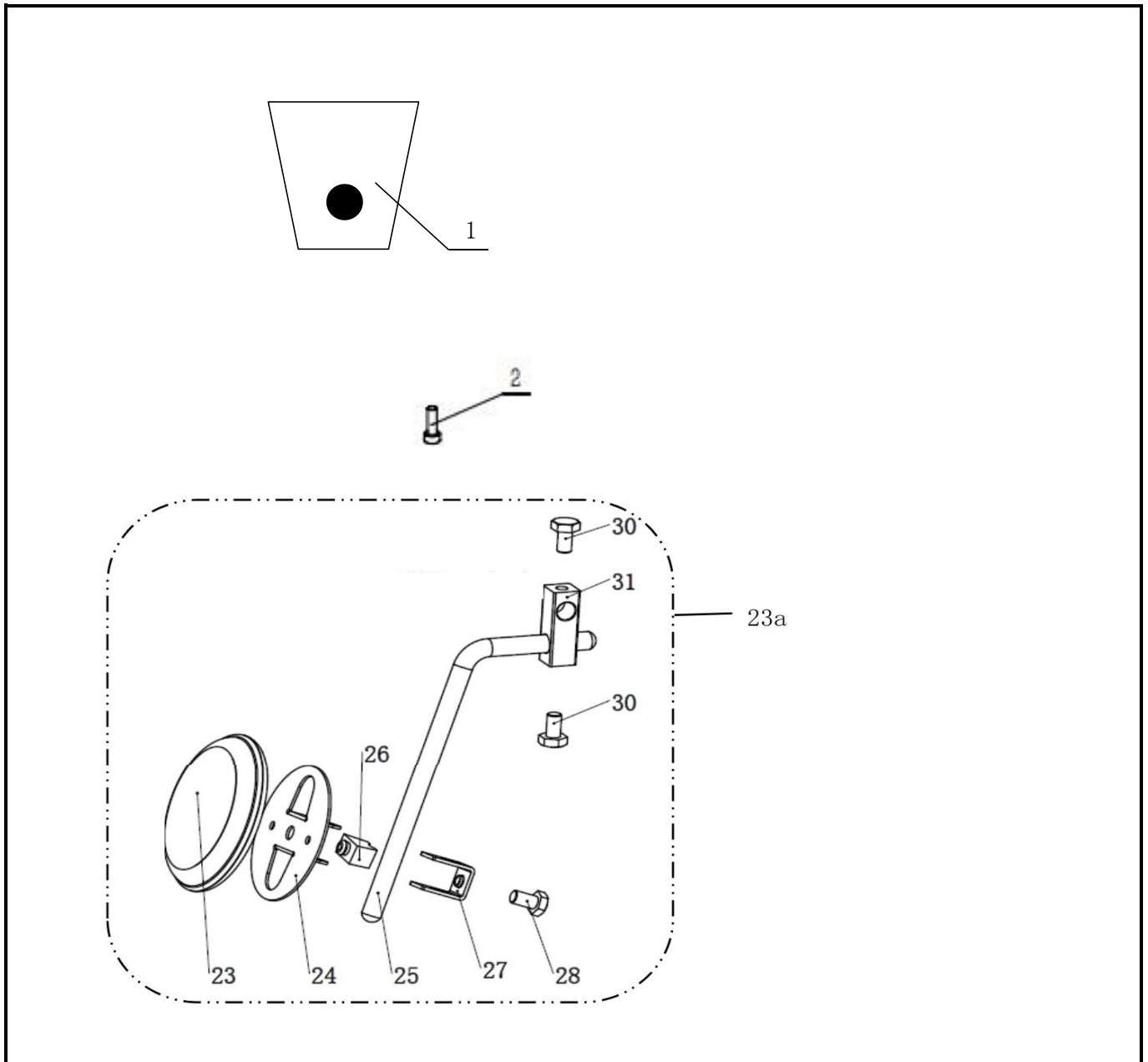
## 10. 油盘部件/Oil reservoir components



## 10. 油盘部件/Oil reservoir components

序号 Ref.No	图号 Part. No	零件名称	Name of parts	数量Qty
				H9V-II
1	134.10-01	油盘	Oil pan	1
2	01-505001824-1	内六角圆柱头螺钉	Screw	4
3	05-053101000-1	平垫片	Washer	4
4	137.09-02	底板油盘	Oil reservoir	1
5	137.09-03	橡胶密封圈	Rubber ring	1

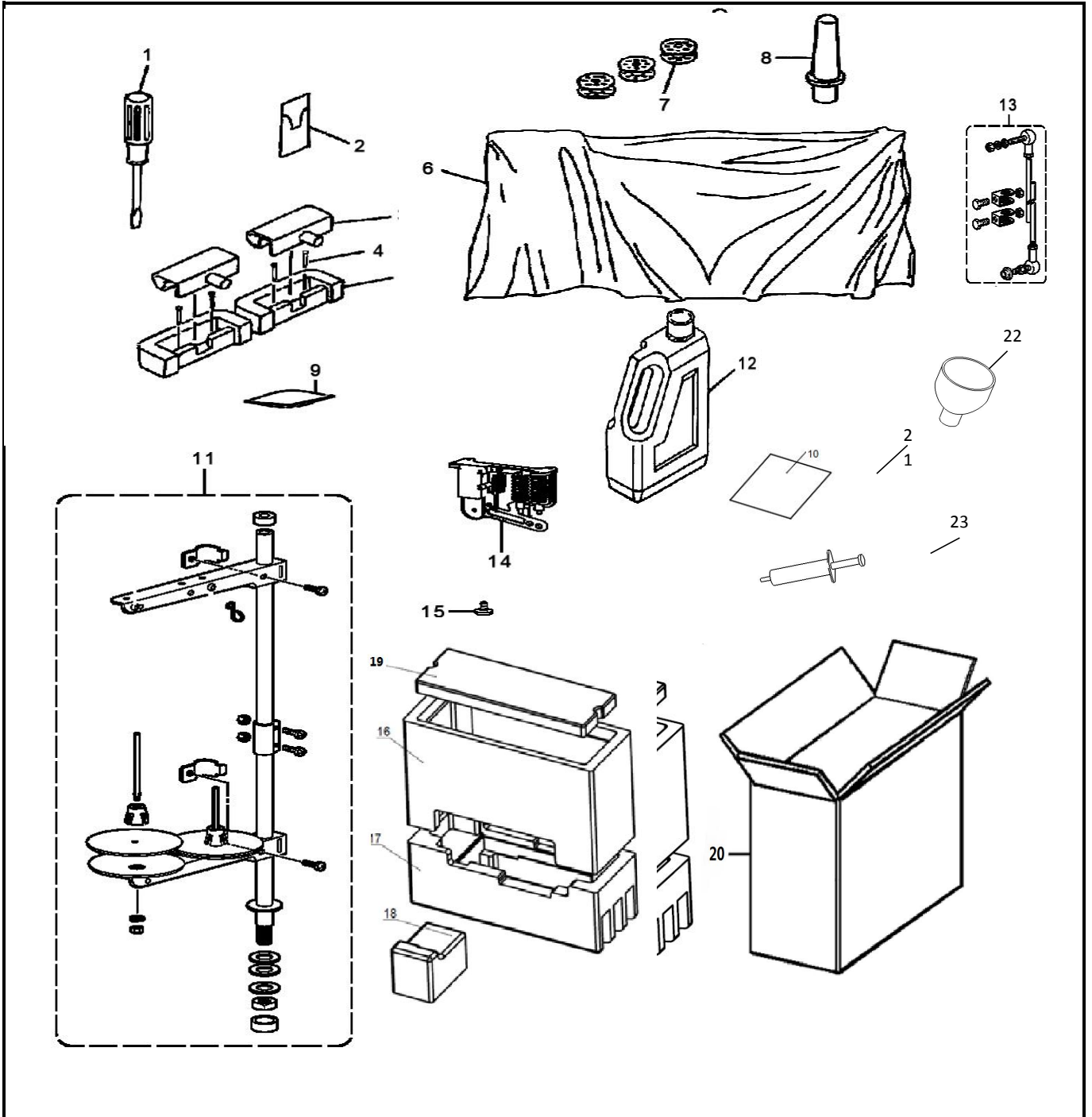
## 11、电子抬压脚控制器(选配)/Electronic presser foot lifting controller(Options)



## 11、电子抬压脚控制器(选配)/Electronic presser foot lifting controller(Options)

序号 Ref. No	图号 Part. No	零件名称	Name of parts	数量Qty
				H9V-II
1	CB42-01-A00	电子抬压脚控制器	Electronic presser foot lifting controller	1
2	21-3501932-4	十字半圆头木螺钉	Screw	4
23a	123.03-15	膝控操纵杆接头	Knee lifter bar asm.	2
23	23 101.10-06-01	操纵板软垫	Knee pan plate cover	4
24	24 101.10-06-04	操纵板	Knee pan plate	2
25	101.10-06-02	操纵杆	Knee pan upright shaft	1
26	26 101.10-06-03	操纵杆垫	Knee pan plate rubber	4
27	27 101.10-06-05	操纵杆节头	Knee pan plate support	1
28	28 101.10-06-06G	节头螺钉	Screw	1
30	30 101.10-06-05G	操纵杆节头	Knee pan plate support	1
31	31 101.10-06-04G	抬压脚操纵杆节头	Knee pan plate support	1

12.附件/Accessories



## 12.附件/Accessories

序号 Ref.No	图号 Part. No	零件名称	Name of parts	数量Qty
				H9V-II
1	113.16-19	两用螺丝刀	Screw driver	1
2	101.03-11	机针	Needle	4
3	101.14-01	机头连接钩	Machine hinge plate asm.	2
4	101.14-02	机头连接钩座钉	Nail	4
5	101.14-03	机头连接钩座	Machine hinge plate	2
6	136.11-02	机头罩	Macgube head cover	1
7	101.03-37-02	梭心	Bobbin	3
8	101.14-09	机头支柱	Macgube rest cover	1
9	101.12-20	空气干燥剂	Air drier	1
11	101.12-01	过线架组件	Thread stand asm.	1
12	101.14-10	油箱	Oil reservoir asm.	1
13	M-02F-010	活球连杆组件	Live festival ball link asm.	1
14	KS-27H	控速器组件	Treadle asm.	1
15	21-3501932-4	十字半圆头木螺钉	Screw	4
16	137.10-04	上泡沫	Foam mat (top)	1
17	137.10-05	下泡沫	Foam mat (bottom)	1
18	137.10-07	中泡沫	Foam mat (middle)	1
19	137.10-03	泡沫盖	Foam mat (cover)	1
20	137.10-01	外箱	Outside box	1
21		附件箱清单	list	1
22	201.22-07-08-10	油漏斗	funnel	1
23	103.20-108	管嘴	Grease tube	1



富山IoT



微信公众号



抖音官方号

## 上海富山精密机械科技有限公司

HIKARI (SHANGHAI) PRECISE MACHINERY SCIENCE AND TECHNOLOGY CO., LTD.

邮箱/E-mail: hikari@chinahikari.com

网址/Web: www.chinahikari.com

传真/Fax: (00)86-21-67311311

电话/Tel: (00)86-21-67311111 ( 转外贸部EXT .FOREIGN TRADE DEPT )

上海市金山区朱泾镇工业园区中达路800号

NO.800, ZHONGDA ROAD, ZHUJING INDUSTRIAL ZONE,

JINSHAN DISTRICT, SHANGHAI CHINA



QUANTITY ATTESTATION  
ISO9001质量体系认证